



INTERNATIONAL
BRAKE INDUSTRIES, INC.

**AVAILABLE
NOW!**

IBI CALIPER MOUNTING BOLTS

For the professional installer.
From the brand you trust for quality parts.

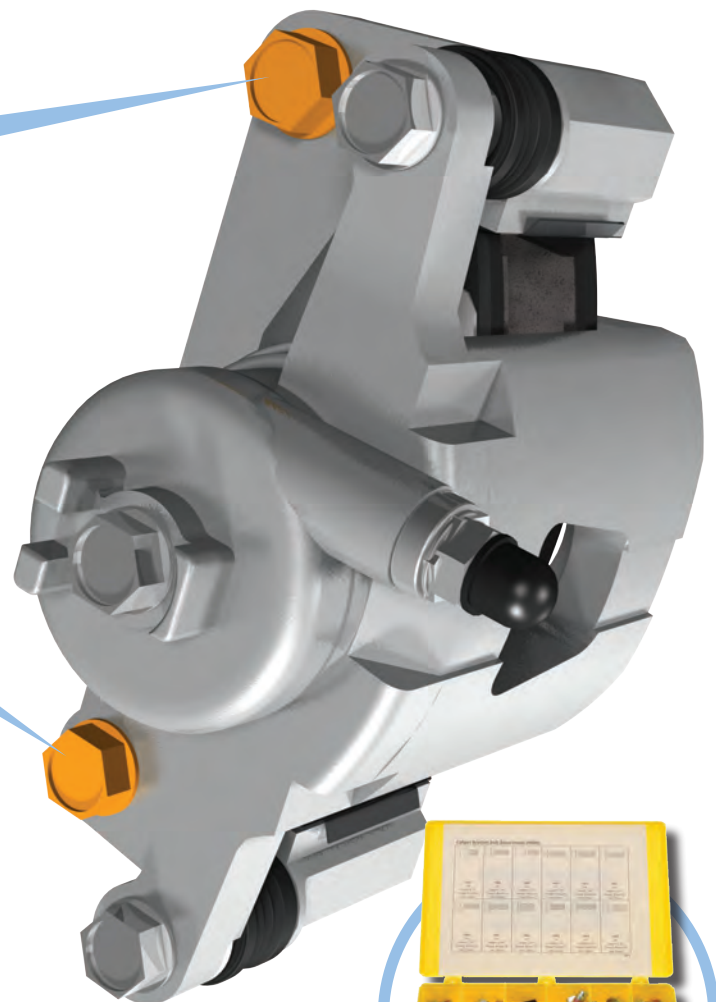


Mounting
Bolts attach
the caliper bracket
to the steering
knuckle

**57 SKUS COVERING OVER 293 MILLION
VEHICLES IN NORTH AMERICA**



www.internationalbrakeindustries.com

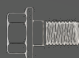
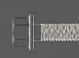

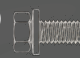
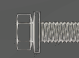

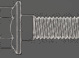
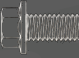






Certified for Fit and Performance.
Designed and manufactured to the highest quality.


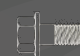



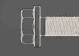

TIME SAVER ASSORTMENTS!

Four assortments available for the most popular models.


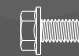




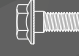





Caliper Bracket Bolt Assortment #H9091

H807 (4)  Length: 1.26" Thread: M12x1.25 Hex: 17mm	H808 (4)  Length: 1.58" Thread: M10x1.25 Hex: 14mm	H809 (4)  Length: 1.52" Thread: M12x1.25 Hex: 17mm	H810 (4)  Length: 2.33 Thread: M14x2.00 Hex: 21mm	H811 (4)  Length: 2.08" Thread: M14x2.00 Hex: 21mm	H812 (4)  Length: 1.83" Thread: M14x2.00 Hex: 21mm
H800 (4)  Length: 1.79" Thread: M12x1.25 Hex: 18mm	H801 (4)  Length: 1.90" Thread: M14x2.00 Hex: 18mm	H802 (4)  Length: 1.01" Thread: M10x1.15 Hex: 14mm	H803 (4)  Length: 1.58" Thread: M12x1.25 Hex: 17mm	H804 (4)  Length: 2.04" Thread: M14x2.00 Hex: 18mm	H805 (4)  Length: 2.16" Thread: M16x2.00 Hex: 21mm

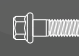





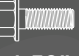




Caliper Bracket Truck Assortment #H9092

H819 (4)  Length: 2.12" Thread: M14x2.00 Hex: 18mm	H820 (4)  Length: 2.16" Thread: M14x2.00 Hex: 15mm	H821 (4)  Length: 1.73" Thread: M12x1.25 Hex: 17mm	H822 (4)  Length: 1.86 Thread: M14x1.25 Hex: 19mm	H823 (4)  Length: 1.64" Thread: M12x1.25 Hex: 15mm	H824 (4)  Length: 1.87" Thread: M14x1.50 Hex: 18mm
H806 (4)  Length: 2.26" Thread: M12x1.25 Hex: 18mm	H813 (4)  Length: 1.78" Thread: M12x1.75 Hex: 15mm	H814 (4)  Length: 2.29 Thread: M16x1.50 Hex: 21mm	H816 (4)  Length: 1.91" Thread: M12x1.75 Hex: 15mm	H817 (4)  Length: 2.07" Thread: M14x1.50 Hex: 21mm	H818 (4)  Length: 2.48" Thread: M14x2.00 Hex: 21mm

Caliper Bracket Bolt Truck Assortment #H9093

H811 (4)  Length: 2.08" Thread: M14x2.00 Hex: 21mm	H812 (4)  Length: 1.83" Thread: M14x2.00 Hex: 21mm	H814 (4)  Length: 2.29" Thread: M16x1.50 Hex: 21mm	H817 (4)  Length: 2.07 Thread: M14x1.50 Hex: 21mm	H821 (4)  Length: 1.73" Thread: M12x1.25 Hex: 17mm	H824 (4)  Length: 1.87" Thread: M14x1.50 Hex: 18mm
H800 (4)  Length: 1.79" Thread: M12x1.25 Hex: 18mm	H801 (4)  Length: 1.90" Thread: M14x2.00 Hex: 18mm	H804 (4)  Length: 2.04 Thread: M14x2.00 Hex: 18mm	H805 (4)  Length: 2.16" Thread: M16x2.00 Hex: 21mm	H806 (4)  Length: 2.26" Thread: M12x1.75 Hex: 18mm	H810 (4)  Length: 2.33" Thread: M14x2.00 Hex: 21mm

Caliper Bracket Bolt Passenger Car Assortment #H9094

H816 (4)  Length: 1.91" Thread: M12x1.75 Hex: 15mm	H818 (4)  Length: 2.48" Thread: M14x2.00 Hex: 21mm	H819 (4)  Length: 2.12" Thread: M14x2.00 Hex: 18mm	H820 (4)  Length: 2.16" Thread: M14x2.00 Hex: 15mm	H822 (4)  Length: 1.86" Thread: M14x2.00 Hex: 19mm	H823 (4)  Length: 1.64" Thread: M12x1.75 Hex: 15mm
H802 (4)  Length: 1.01" Thread: M10x1.25 Hex: 14mm	H803 (4)  Length: 1.58" Thread: M12x1.25 Hex: 17mm	H807 (4)  Length: 1.26" Thread: M12x1.25 Hex: 17mm	H808 (4)  Length: 1.58" Thread: M10x1.25 Hex: 14mm	H813 (4)  Length: 1.78" Thread: M12x1.75 Hex: 15mm	H815 (4)  Length: 2.34" Thread: M14x1.50 Hex: 22mm